

# DIAGRAM #9

## LiteGuide™ Opening Components

Door & Frame: **Ceco SightLight™**  
**Curries CURRIELum™**  
**Fleming SafEgress™** } LiteGuide Options LG4

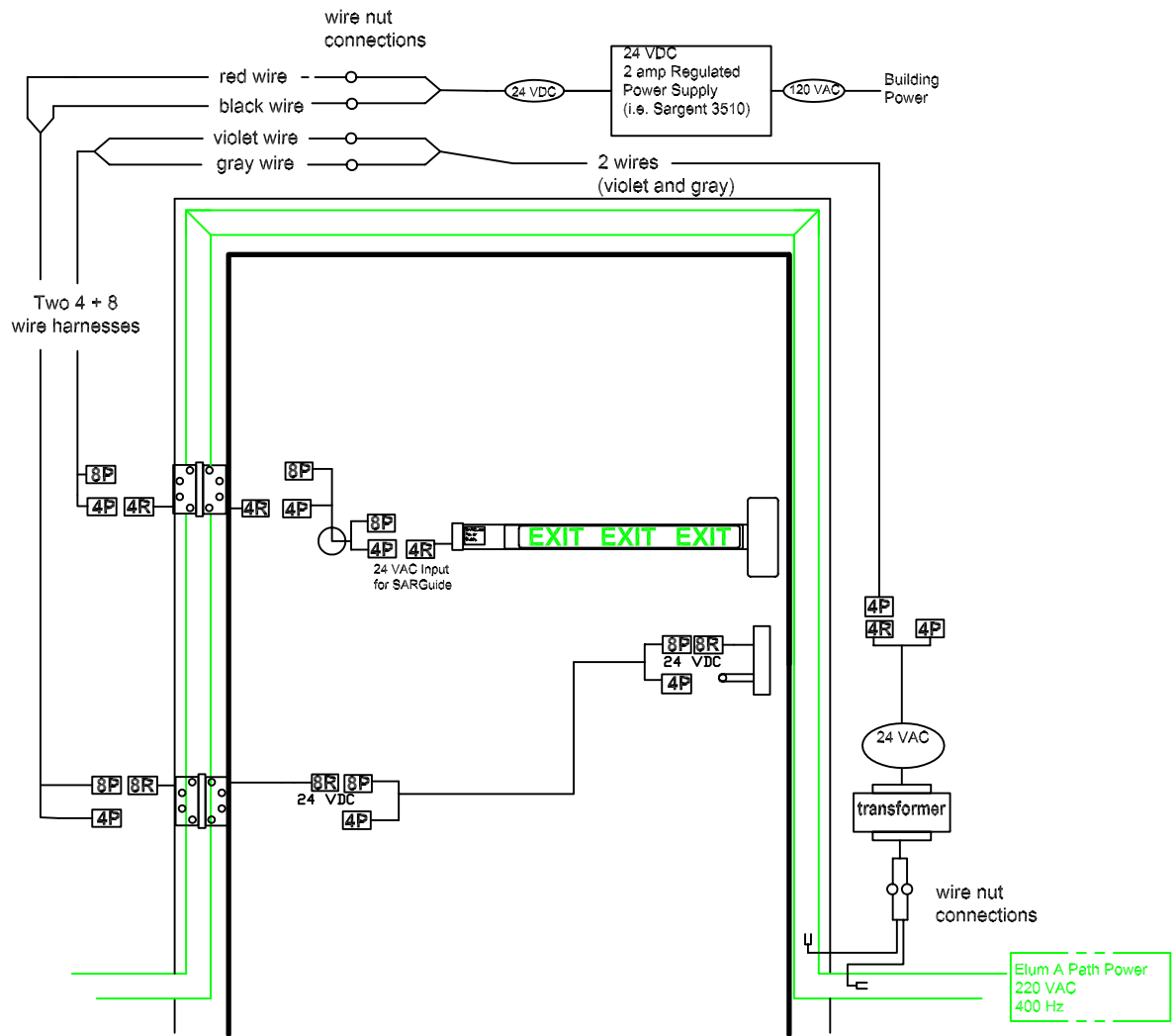
Exit Device: **Sargent SARGuide™ TL-80**  
**Electric ET Trim**

Hinge: **McKinney QC-4A & QC-8 Hinges**

## Egress Marking Systems Floorpath Lighting

**E-Lume-A-Path™ System Components:**  
**E-Lume-A-Path™ FlatLite™ lamp**  
**Power supply**  
**Clear plastic lamp protector**

## ElectroLynx™ Connector System



## Door & Frame LiteGuide Options:

- LG1 - Bypass Frame Assembly ;
- LG2 - Junction Bypass Frame Assembly
- LG3 - Electroluminescent (EL) Egress Frame Assembly
- LG4 - Junction Egress Frame Assembly ;
- LG5 - Photoluminescent (PL) Egress Frame Ass'y
- LG6 - Electroluminescent (EL) Low Level Exit Sign
- LG7 - Photoluminescent (PL) Low Level Exit Sign