

DIAGRAM #6

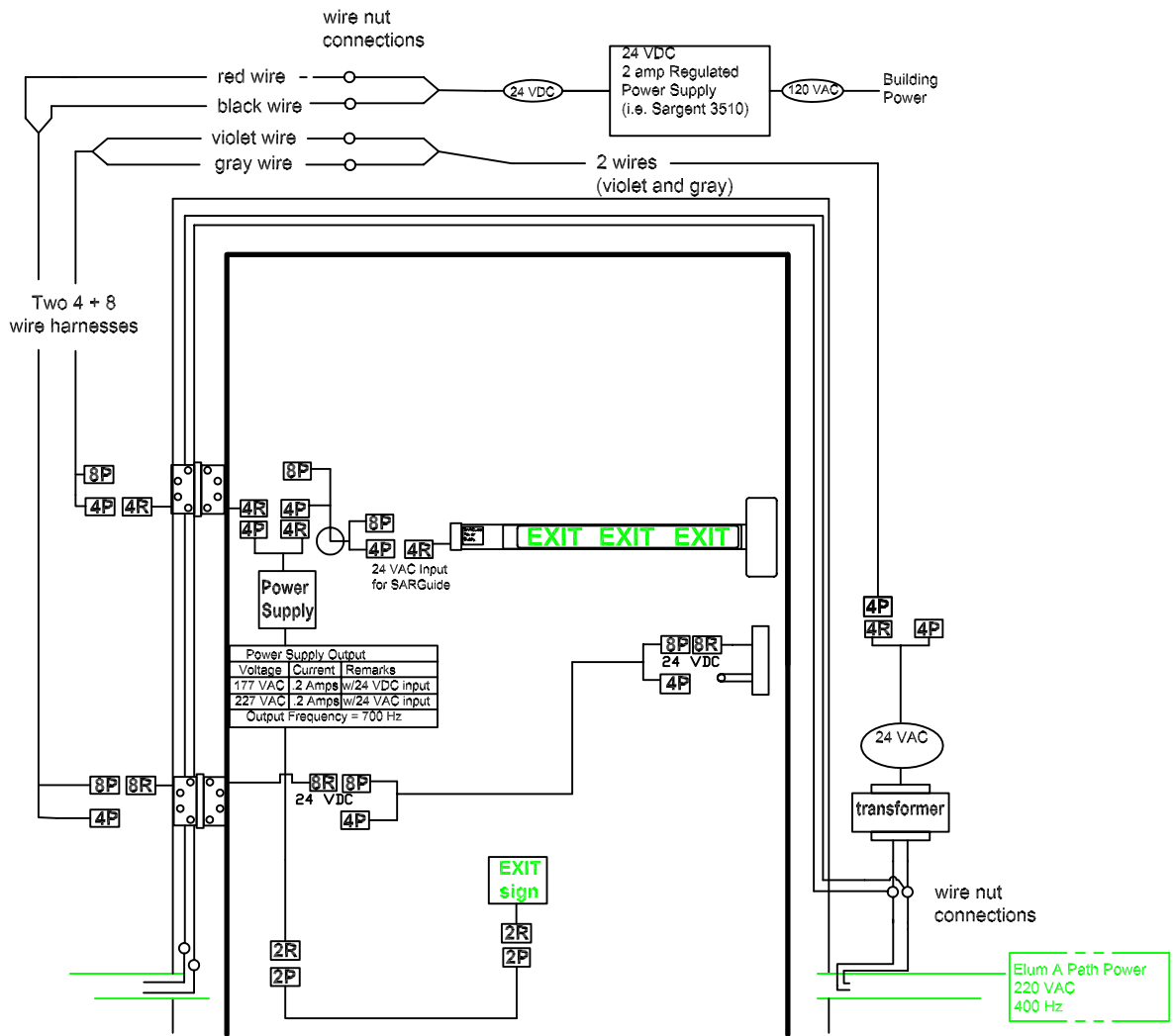
LiteGuide™ Opening Components

Door & Frame: Ceco SightLight™
Curries CURRIELum™
Fleming SafEgress™ } LiteGuide Options LG2 & LG6
Exit Device: Sargent SARGuide™ TL-80
Electric ET Trim
Hinge: McKinney QC-4A & QC-8 Hinges
Other: EL EXIT sign™ in door

Egress Marking Systems Floorpath Lighting

E-Lume-A-Path™ System Components:
E-Lume-A-Path™ FlatLite™ lamp
Power supply
Clear plastic lamp protector

ElectroLynx™ Connector System



Door & Frame LiteGuide Options:

- LG1 - Bypass Frame Assembly ; LG2 - Junction Bypass Frame Assembly
- LG3 - Electroluminescent (EL) Egress Frame Assembly
- LG4 - Junction Egress Frame Assembly ; LG5 - Photoluminescent (PL) Egress Frame Ass'y
- LG6 - Electroluminescent (EL) Low Level Exit Sign
- LG7 - Photoluminescent (PL) Low Level Exit Sign