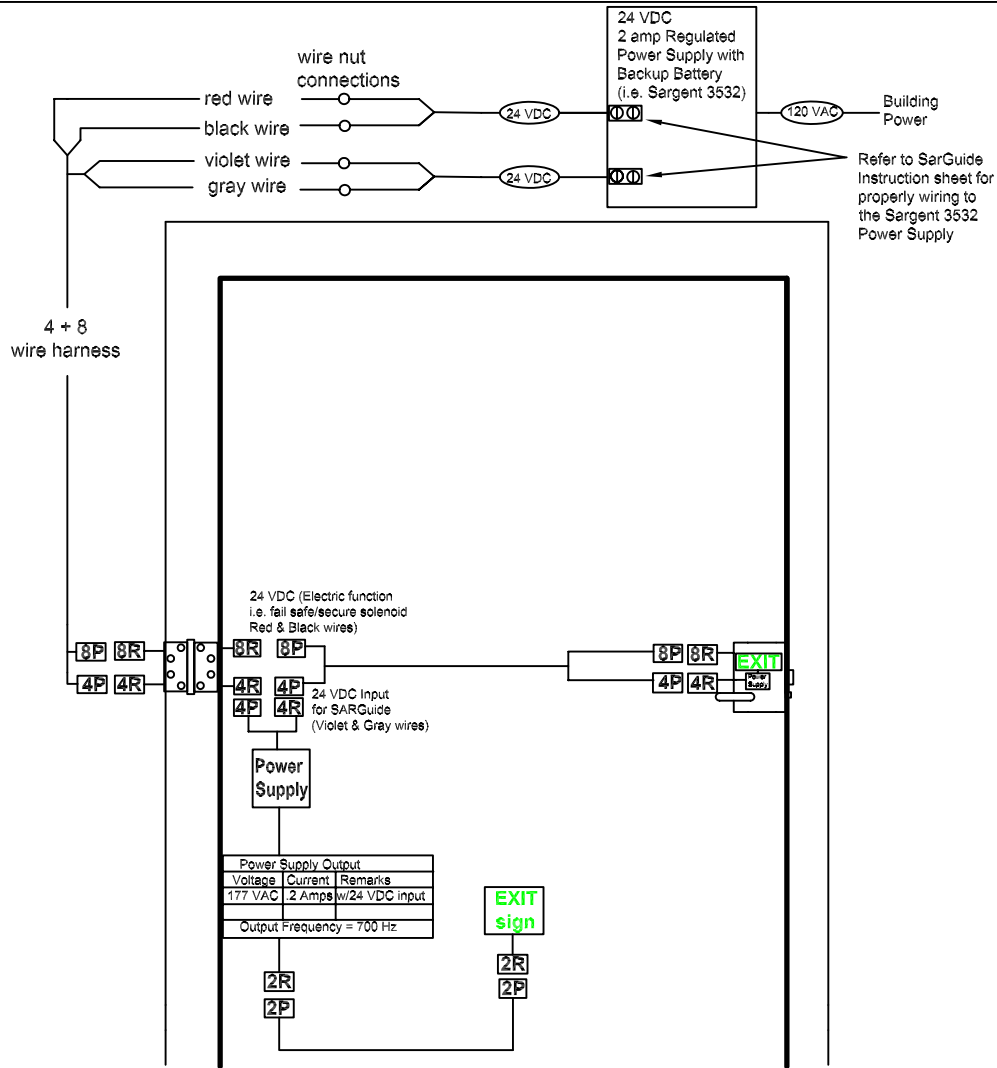
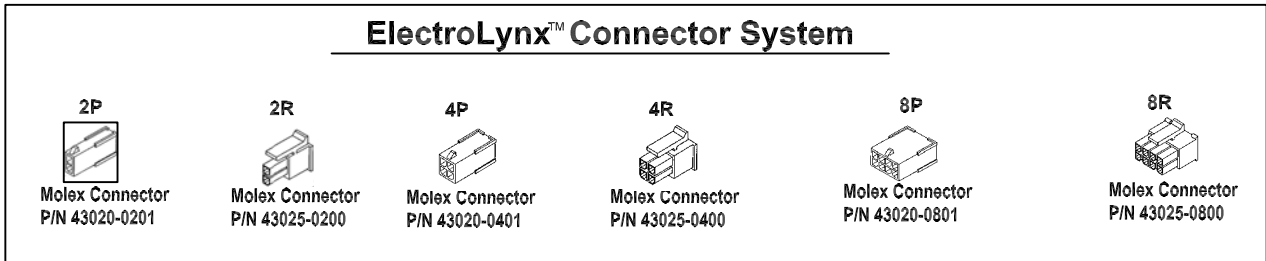


DIAGRAM #29

LiteGuide™ Opening Components

Door: Ceco } LiteGuide
 Curries } Options
 Fleming } LG6
Mortise Lock: Sargent SARGuide™ TL-8271/72
Hinge: McKinney QC-12
Other: EL EXIT sign in door
 ElectroLynx™ Connector System

ElectroLynx™ Connector System



Door & Frame LiteGuide Options:

- LG1 - Bypass Frame Assembly ; LG2 - Junction Bypass Frame Assembly
- LG3 - Electroluminescent (EL) Egress Frame Assembly
- LG4 - Junction Egress Frame Assembly ; LG5 - Photoluminescent (PL) Egress Frame Ass'y
- LG6 - Electroluminescent (EL) Low Level Exit Sign
- LG7 - Photoluminescent (PL) Low Level Exit Sign