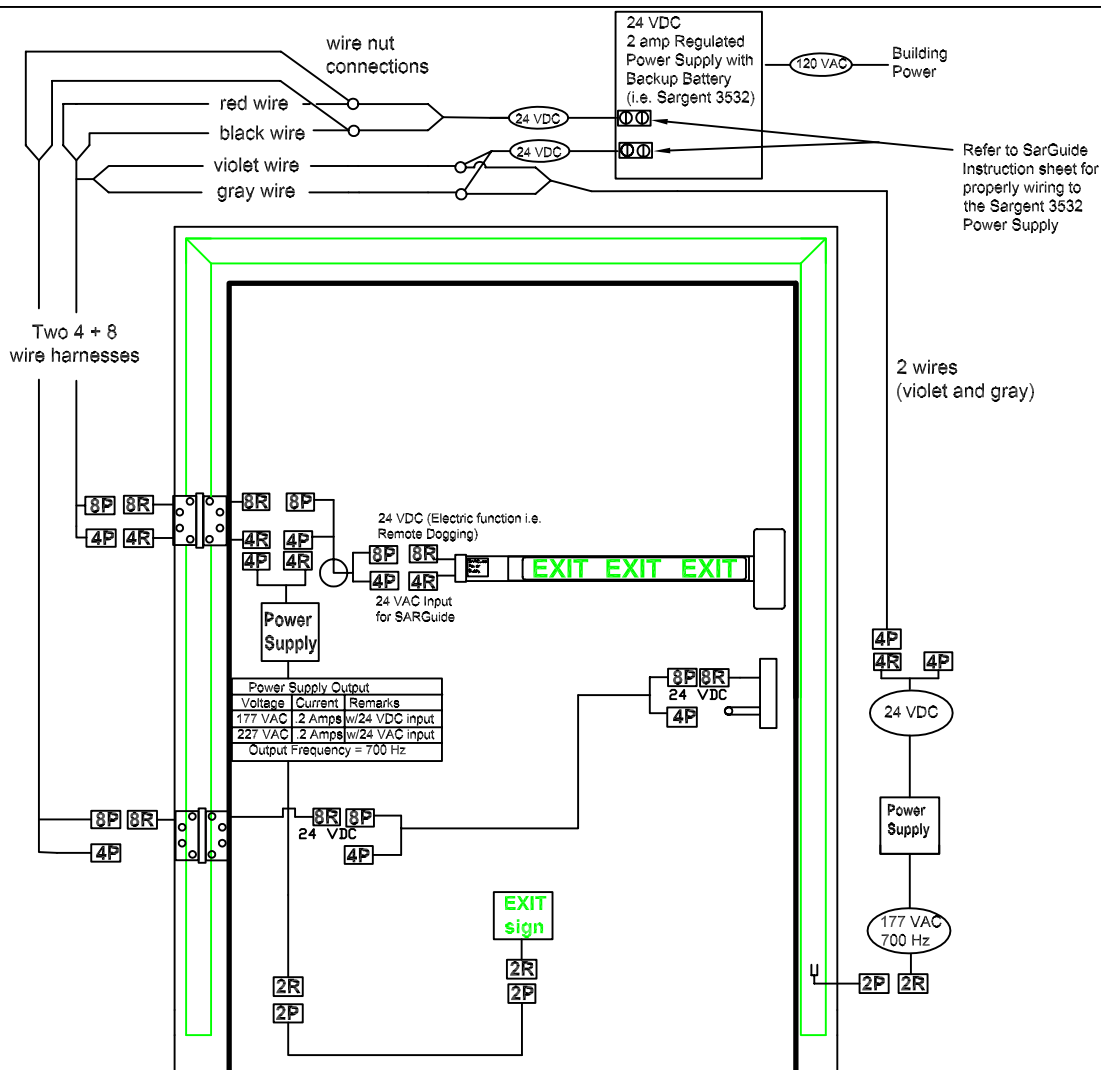
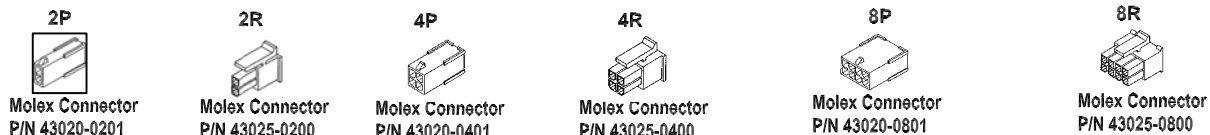


# DIAGRAM #19

## LiteGuide™ Opening Components

**Door & Frame: Ceco SightLight™**  
**Curries CURRIELum™** } LiteGuide Options LG4 & LG6  
**Fleming SafEgress™** }  
**Exit Device: Sargent SARGuide™ 58-TL-80**  
**Electric ET Trim**  
**Hinge: McKinney QC-12 & QC-8 Hinges**  
**Other: EL EXIT sign™ in door**

## ElectroLynx™ Connector System



## Door & Frame LiteGuide Options:

- LG1 - Bypass Frame Assembly ;
- LG2 - Junction Bypass Frame Assembly
- LG3 - Electroluminescent (EL) Egress Frame Assembly
- LG4 - Junction Egress Frame Assembly ;
- LG5 - Photoluminescent (PL) Egress Frame Ass'y
- LG6 - Electroluminescent (EL) Low Level Exit Sign
- LG7 - Photoluminescent (PL) Low Level Exit Sign